

DRG. No.
PCG/ATX/UF

DO NOT SCALE OFF DRAWING "IF IN DOUBT ASK".
REPORT ALL ERRORS AND ALTERATIONS.

THIRD ANGLE PROJECTION

MARKING

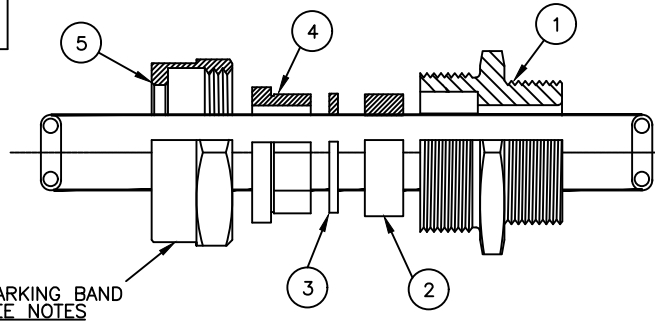
1. EXAMPLES OF MARKING ON BAND:-

Peppers GU15 3BT UK A8BF 20 M20
IECEX SIR 05.0020X SirA 01ATEX1270X SirA 09ATEX1221X
Exdb IIC Gb Exeb IIC Gb Exta IIIC Da ExnR IIC Gc
Ⓢ II 1D 2G 3G IP66 IP68
or
Peppers GU15 3BT UK E8XBF 20 M20
IECEX SIR 05.0020X SirA 01ATEX1270X
Exeb IIC Gb Ⓢ II 2G IP66 IP68

2. SPECIAL MARKS:-
Marking and other information may be present on the gland or packaging in accordance with document PCG/ATX/PEXMP.

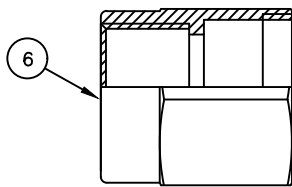
DRAWN ASC
DATE 27/04/09
CHECKED
APPROVED
CAD REF PCGATXUF
SCALE N.T.S
ISSUE
1. Original
2. Markings revised; cap 6M replaced by 12M.

GLANDS OF BASIC TYPE A

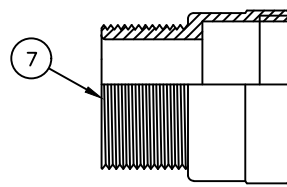


MARKING BAND
SEE NOTES

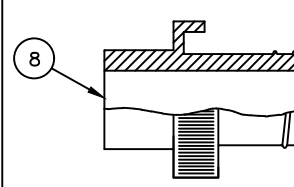
A8CF**



A8CM**



A8RC**



SEAL CODES, PART NOS., MATERIALS & TEMPERATURES			
CODE	INNER	OUTER	TEMPERATURE RANGE
8	72MIS (a)	-	-60°C to +180°C Operating

METAL PARTS MATERIAL CODES	
CODE	MATERIAL
B	BRASS
S	STAINLESS STEEL

- NOTES
- a Silicone seals are coloured white (parts 72MIS).
 - b These glands are primarily intended for use with unarmoured cable, but they may be used with other types, provided the installation meets the requirements of IEC 60079 Part 14.
 - c On size 20, cable dim A may exceed the values shown in the table by 0.5 mm, provided dim B is not less than 6.0 mm.
 - d Size 20R and 20s glands use same components as size 20, except that seals are 72MIS/20R and 72MIS/20s respectively.
 - e Inner skid washer (part 11MR) is used on Size 20R.
 - f Stainless Steel glands may have marking electrochemically etched.
 - g Paint or Plating may be applied to any or all main gland body components. Maximum thickness of plating is 0.008mm. No paint shall be applied to entry thread joints.
 - h A8CFxF gland use part 12MF in place of 12M part.
A8CMxF gland use part 12MM in place of 12M part.
A8RCxF gland use 8MC in place of 8M part.
 - i For alternative threads and trade sizes refer to drawing PCG/ETDMV

3. Marking updated to comply with latest 60079 Series & to include ExtD marking.
4. 23/07/09 Updated to include Ex nR II marking.
5. 23/08/12 Updates to marking. Full parts list added. Clarification of notes and Connector options added.
6. 09/05/13 Parts list, 6 & 7 descriptions amended
7. 02/05/14 Parts List description corrected. Gland part coding updated. 8MC, 12MF & 12MM parts added, Parts List & Note i expanded. Note i added.
8. 19/02/15 Max Conduit O/D for sizes 20s-3, 20-3 & 20R-3 corrected to state 21.5 in A8RC** Cable Dimensions & Conduit table.
9. 16/08/16 Size 25 gland sizes added.
10. 08/06/17 Protection Concepts updated. Note i amended. Standard Entry Thread column added.

PARTS LIST & CERTIFICATE CROSS-REFERENCE

Balloon Ref	Part Description	Drawing Number	Alternate Drawing Number	Other Certificate Nos. used on
1	ENTRY BODY	PCG/ATX/1M	PCG/ATX/1MT	SIRA 01ATEX1271X
2	INNER SEAL	PCG/ATX/72M	---	---
3 (e)	SKID WASHER	PCG/ATX/11MR	---	---
4	COMPRESSION BUSH	PCG/ATX/8M	---	---
5 (h)	OUTER CAP	PCG/ATX/12M	---	---
6	CAP - FEMALE CONNECTOR	PCG/ATX/12MF	---	---
7	CAP - MALE CONNECTOR	PCG/ATX/12MM	---	---
8 (h)	COMPRESSION BUSH SPIRAL	PCG/ATX/8MC	---	---

X-REFS:-
CSFLOX
TABFLOX
ISSFLOX
CSFLATAB
CAO

THIS DRAWING IS OF A CERTIFIED COMPONENT, AND NO CHANGES MUST BE MADE WITHOUT REFERENCE TO THE CERTIFYING AUTHORITY.

PEPPERS CABLE GLANDS LIMITED
STANHOPE ROAD. CAMBERLEY, SURREY, UK.
TEL +44 (0)1276 64232, FAX +44 (0)1276 691752

TITLE ATEX INSTRUMENT RANGE SHT 1 of 2
FLAT CABLE (HEAT TRACE) UNARMoured
TYPE A8**, A8C*** & A8RC** SERIES

The design and manufacturing information contained in this drawing is the exclusive right of PEPPERS CABLE GLANDS LTD and must not be copied or used for manufacturing purposes without express authority in writing from the said company.

DRG. No.
PCG/ATX/UF
ISSUE 10

DRG. No.
PCG/ATX/UF

DO NOT SCALE OFF DRAWING "IF IN DOUBT ASK".
REPORT ALL ERRORS AND ALTERATIONS.

THIRD ANGLE PROJECTION

DRAWN ASC
DATE 27/04/09
CHECKED
APPROVED
CAD REF PCGATXUF
SCALE N.T.S

ISSUE
1. Original

2. Markings revised;
cap 6M replaced
by 12M.

3. Marking updated
to comply with latest
60079 Series & to
include ExtD marking.

4. 23/07/09
Updated to include
Ex nR II marking.

5. 23/08/12
Updates to marking.
Full parts list added.
Clarification of notes
and Connector
options added.

6. 09/05/13
Parts list, 6 & 7
descriptions amended

7. 02/05/14
Parts List description
corrected. Gland part
coding updated. 8MC,
12MF & 12MM parts
added, Parts List &
Note h expanded.
Note i added.

8. 19/02/15

Max Conduit O/D for
sizes 20s-3, 20-3 &
20R-3 corrected to
state 21.5 in A8RC**
Cable Dimensions &
Conduit table.

9. 16/08/16
Size 25 gland sizes
added.

10. 08/06/17
Protection Concepts
updated. Note i
amended. Standard
Entry Thread column
added.

X-REFS: -

GLAND TYPE NUMBERING

A8xx xxx xxx = Gland Type and Part Number code

- Entry Thread type & size
- Gland shell size
- F Ex db (flameproof), Ex eb (increased safety)
Ex ta (dust) and Ex nR (restricted breathing)
- E Ex eb (Increased Safety) only
- B Brass
- S Stainless Steel
- Flat Cable Seal Code (See Table)
- Gland type providing cable retention and sealing using seal only

GLAND TYPE NUMBERING

A8Cxxx xxx xxx xxx = Gland Type and Part Number code

- Entry Thread type & size
- Gland shell size
- Connector Thread Type and Size
- F Ex db (flameproof), Ex eb (increased safety)
Ex ta (dust) and Ex nR (restricted breathing)
- E Ex eb (Increased Safety) only
- B Brass
- S Stainless Steel
- F Female Threaded Rigid/Solid or Flexible Conduit Connection
- M Male Threaded Rigid/Solid or Flexible Conduit Connection
- Conduit Connection
- Flat Cable Seal Code (See Table)
- Gland type providing cable retention and sealing using seal only

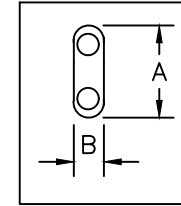
GLAND TYPE NUMBERING

A8RCxx xxx xxx = Gland Type and Part Number code

- Entry Thread type & size
- Gland shell size
- F Ex db (flameproof), Ex eb (increased safety)
Ex ta (dust) and Ex nR (restricted breathing)
- E Ex eb (Increased Safety) only
- B Brass
- S Stainless Steel
- RC Rotating Flexible Conduit Connector
- Flat Cable Seal Code (See Table)
- Gland type providing cable retention and sealing using seal only

A8** & A8C*** CABLE DIMENSIONS

GLAND SIZE	STANDARD ENTRY THREAD		OUTER DIMENSIONS			
			MIN		MAX	
	Metric	NPT	A	B	A	B
20S	M20	1/2" NPT	6.3	4.0	11.7	7.0
20	M20	1/2" NPT	10.3	5.6	13.5	9.0
20R	M20	1/2" NPT	8.1	5.8	13.5	6.2
25	M25	3/4" NPT	10.6	4.0	16.2	7.0



A8RC** CABLE DIMENSIONS & CONDUIT DATA

GLAND SIZE	STANDARD ENTRY THREAD		CABLE DIMENSIONS				CONDUIT DATA	
			MIN		MAX		TYPICAL	MAX
	Metric	NPT	A	B	A	B	CONDUIT I/D	CONDUIT O/D
20S-1	M20	1/2" NPT	6.3	4.0	11.2	7.0	13.0	17.1
20S-2	M20	1/2" NPT	6.3	4.0	11.7	7.0	15.0	19.3
20S-3	M20	1/2" NPT	6.3	4.0	11.7	7.0	16.9	21.5
20-1	M20	1/2" NPT	10.3	5.6	11.2	9.0	13.0	17.1
20-2	M20	1/2" NPT	10.3	5.6	13.5	9.0	15.0	19.3
20-3	M20	1/2" NPT	10.3	5.6	13.5	9.0	16.9	21.5
20R-1	M20	1/2" NPT	8.1	5.8	11.2	6.2	13.0	17.1
20R-2	M20	1/2" NPT	8.1	5.8	13.5	6.2	15.0	19.3
20R-3	M20	1/2" NPT	8.1	5.8	13.5	6.2	16.9	21.5
25-1	M25	3/4" NPT	10.6	4.0	16.2	7.0	16.9	23.8
25-2	M25	3/4" NPT	10.6	4.0	16.2	7.0	18.7	24.8
25-3	M25	3/4" NPT	10.6	4.0	16.2	7.0	21.1	26.8
25-4	M25	3/4" NPT	10.6	4.0	16.2	7.0	20.7	27.8



PEPPERS CABLE GLANDS LIMITED
STANHOPE ROAD. CAMBERLEY, SURREY, UK.
TEL +44 (0)1276 64232, FAX +44 (0)1276 691752

TITLE ATEX INSTRUMENT RANGE SHT 2 of 2
FLAT CABLE (HEAT TRACE) UNARMoured
TYPE A8**, A8C*** & A8RC** SERIES

The design and manufacturing information contained in this drawing is the exclusive right of PEPPERS CABLE GLANDS LTD and must not be copied or used for manufacturing purposes without express authority in writing from the said company.

DRG. No.
PCG/ATX/UF

ISSUE 10